



First choice when quality counts.™

Husky™ 205

Air-Operated Double Diaphragm Pump

- Superior performance compared to the competition
- Dead head capabilities — no bypass required for corrosive, hazardous chemicals
- Low-cost, compact design
- External 4-way solenoid air valve option capability
- Handles a wide variety of fluids



Acetal
(shown with wall bracket)

Graco's Husky 205 is our smallest pump in the double diaphragm lineup. But this should not be misleading – this pump works hard at pumping a wide variety of fluids (solvents, acids, bases and low viscosity coatings, lubricants, and adhesives). This pump is known as a dosing, metering, chemical feed, circulation, and analyser pump.

In addition, the pump is available with ports for external air solenoid valve operation. This 4-way air valve controls the cycle rate of the pump so precise dosing can be achieved at a lower cost to you. The 205 can handle simple on/off batch applications or continuous circulation jobs.

Small
in size,
large in
productivity!



Kynar®



Polypropylene

Typical Applications

- Municipal water treatment systems
- Waste water plants
- Ink
- Printed circuit board operations
- Irrigation systems
- Plating/surface finishing

Typical Fluids Handled

- Waterborne materials, some HHC's
- Paint, coatings, inks, and dyes
- Car wash chemicals
- Laundry chemicals, detergent
- Chemical dosing



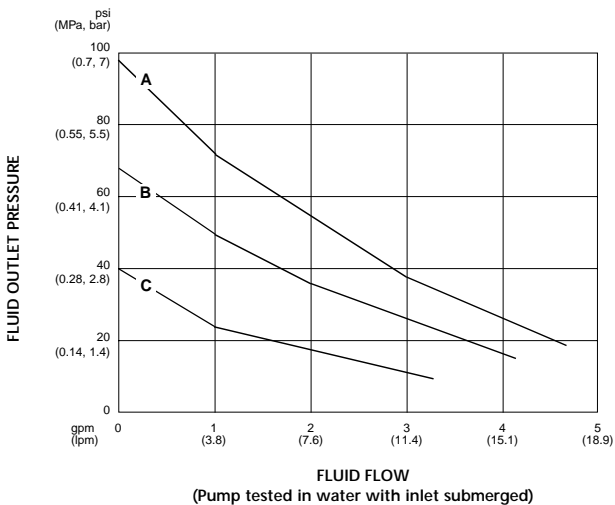
Technical Specifications

Maximum fluid working pressure	7 bar (0.7 MPa, 100 psi)
Maximum fluid flow	18.9 lpm (5.0 gpm)
Maximum pump speed	
Dry	320 cpm
Wet	250 cpm
Volume per stroke*	23 cc (0.006 gallon)
Volume per cycle*	46 cc (0.012 gallon)
Maximum suction lift dry	2.5-3 m (8-10 ft.)
Maximum size pumpable solids	1.5 mm (0.06")
Maximum operating temperature	82°C (180°F)
Maximum air consumption	0.252 m ³ /min (9.0 scfm)
Air inlet size**	1/4 npt(f) / 1/4 bsp(f)
Fluid inlet size**	1/4 npt(f) / 1/4 bsp(f)
Fluid outlet size**	1/4 npt(f) / 1/4 bsp(f)
Air exhaust port size**	1/4 npt(f) / 1/4 bsp(f)
Weight	
Polypropylene pump	0.9 kg (2.0 lbs.)
Acetal pump	1.1 kg (2.5 lbs.)
Kynar® pump	1.3 kg (2.8 lbs.)
Wetted parts	
Polypropylene pump	glass-filled polypropylene, Teflon®, polypropylene
Acetal pump	acetal with SST fibers, Teflon®, acetal
Kynar® pump	Kynar®, Teflon®, Kynar®
Maximum sound power level (per ANSI STD S12.1)	Pressure Intensity
at 7 bar (0.7 MPa, 100 psi)	75.5 dBa 84.5 dBa
at 4.9 bar (0.49 MPa, 70 psi)	72.0 dBa 81.1 dBa
at 2.8 bar (0.28 MPa, 40 psi)	68.2 dBa 76.6 dBa
Instruction manual	308-652

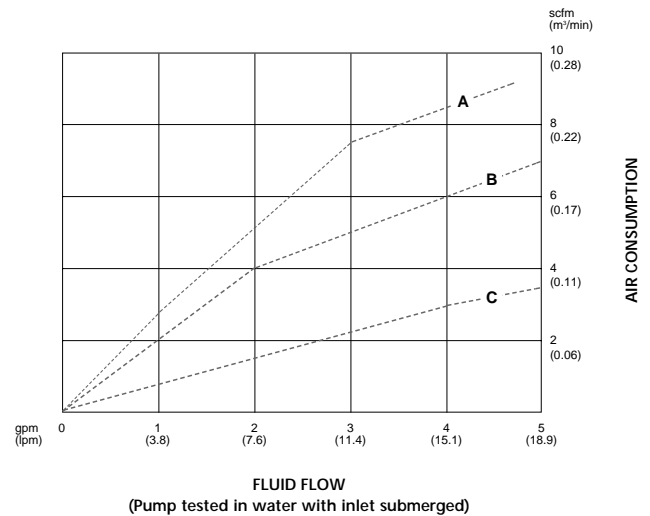
* Volume per cycle and per stroke may vary based on suction condition, discharge head, air pressure, and fluid type.
 ** Hybrid thread allows for either 1/4 npt or 1/4 bsp fitting

Husky 205 Pump Performance

Fluid Pressure



Air Consumption



Key:
 — Fluid Outlet Pressure
 - - - - - Air Consumption

Air Pressures:
 A = at 7 bar (0.7 MPa, 100 psi)
 B = at 4.8 bar (0.48 MPa, 70 psi)
 C = at 2.8 bar (0.28 MPa, 40 psi)

Accessories

222011 Grounding Wire and Clamp
7.6 m (25 ft.) long

Air Line Quick Disconnect

208536 Coupler 1/4 npt(f)
169970 Fitting 1/4 npt(m)

110147 Air Regulator and Gauge
Adjustment range: 0-11 bar (0-1.1 MPa, 0-180 psi)
Max. working pressure: 21 bar (2.1 MPa, 300 psi)
Inlet and outlet: 1/4 npt(f)

205090 Air Control Needle Valve
Max. working pressure: 21 bar (2.1 MPa, 300 psi)
Inlet: 1/4 npt(m)
Outlet: 1/4 npt(f)

110146 Air Line Filter
Max. working pressure: 21 bar (2.1 MPa, 300 psi)
Inlet and outlet: 1/4 npt(f)
Reusable 20 micron filter and drain cock.

221169 Air Hose
Max. working pressure: 21 bar (2.1 MPa, 300 psi)
Size: 1/2" x 3 m (10 ft.).
Coupled size: 1/2 npt(m) x 1/4 npt(m).

Fluid Hose Kits

Max. working pressure: 7 bar (0.7 MPa, 100 psi). 1/4 npt(mbe).
Inside diameter: 3/8" (10 mm)

239169 Polypropylene
239170 Nylon
239171 Teflon®

Groundable Fluid Hoses

Max. working pressure: 34 bar (3.4 MPa, 500 psi). Nylon core, synthetic rubber cover. Inside diameter: 1/4" (6 mm), 1/4 npt(m) x 1/4 npsm(f) swivel.

205375 1.2 m (6 ft.) long

Fluid Drain Valves

237528 Stainless Steel/Teflon®
1/4 npt(mbe)

208390 Carbon Steel/Teflon®
1/4 npt(m) x 1/4 npt(f)

113497 Fluid Pressure Relief Valve

Prevents overpressurization of pump due to thermal expansion or fluid backup in the outlet line. Venting pressure: 10.5 bar (1.05 MPa, 150 psi). Brass and Buna-N, 1/4 npt(m x f).

241810 Mounting Bracket (for replacement)

SST bracket for horizontal mounting of pump.

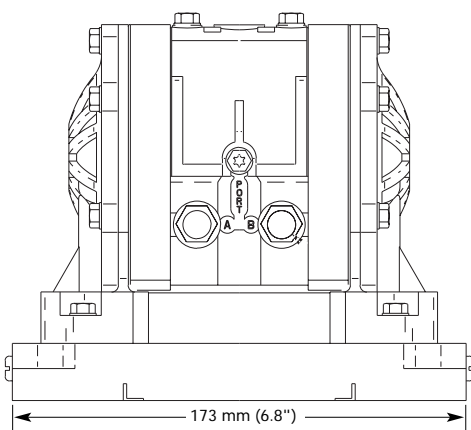
Remote Suction Kit

200 liter (55 gallon). Drum kit contains air-tight bung adapter, rigid suction tube, hose and fittings for feeding a remote wall-mounted pump.

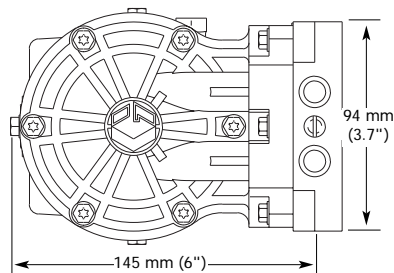
239142 Polypropylene
239143 Acetal
239144 Kynar®

Husky 205 Pump Dimensions

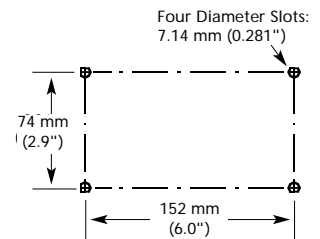
Bottom View (shown)



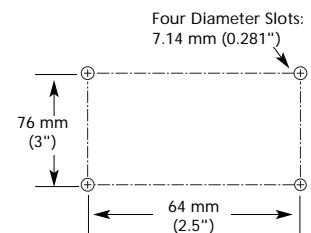
Side View



Pump Base Mounting Pattern for Wall Mounting



Bracket Pattern



Ordering Information for the Husky 205

Order No.	Wetted Parts/Seat	Poppet Check	Diaphragm	Internal	External*
				Air-Valve Operated	Solenoid Operated
D12091	Polypropylene	Polypropylene	Teflon®	X	
D11021	Acetal	Acetal	Teflon®	X	
D150A1	Kynar® (PVDF)	Kynar®	Teflon®	X	
D22091	Polypropylene	Polypropylene	Teflon®		X
D21021	Acetal	Acetal	Teflon®		X
D250A1	Kynar® (PVDF)	Kynar®	Teflon®		X

* Solenoid not included.

*Teflon® and Hytrel® are registered trademarks of Du Pont.
Santoprene® is a registered trademark of Monsanto.
Kynar® (PVDF) is a registered trademark of Atochem North America, Inc.*

Conversion/Repair Kits

Conversion/Repair Kits may be ordered separately. To repair the seats, checks and diaphragms, select the six digits which describe your pump from the following matrix, working from left to right. The first four digits are always D010. The remaining two digits define the materials of construction. A choice of zero allows you to omit that component. Example: To order Teflon® diaphragms only for a Husky 205 pump order D01001.

Diaphragm Pump	Kit	O-Ring	Select One from Each Column		
			Seats	Checks	Diaphragms
D (for all pumps)	0 (for all pumps)	1 (for all pumps)	0 (for all pumps)	0 (None) A (Kynar®) 2 (Acetal) 9 (Polypropylene)	0 (None) 1 (Teflon®)

238853 Air Valve Kit
Replacement air valve assembly.

Graco Inc. is registered to I.S. EN ISO 9001.

All written and visual data contained in this document are based on the latest product information available at the time of publication. Graco reserves the right to make changes at any time without notice.



GRACO N.V.
Slakweidestraat 31
B-3630 Maasmechelen
Tel (32) 89 770 700 • Fax (32) 89 770 777

